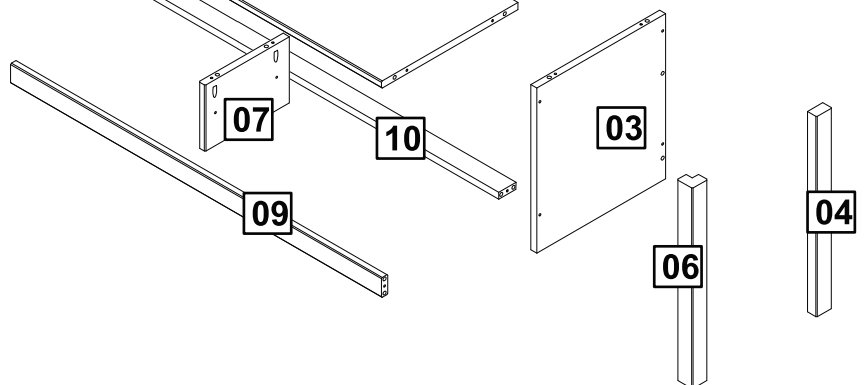
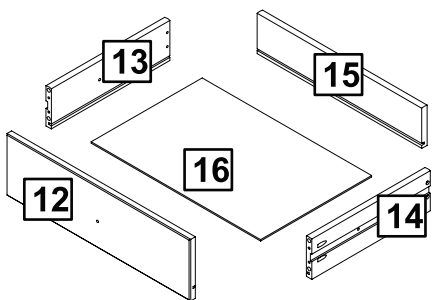
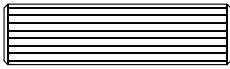

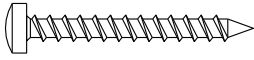
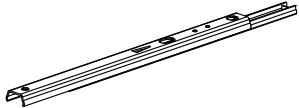
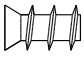

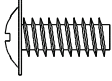
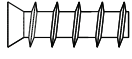
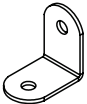

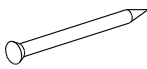
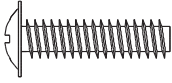
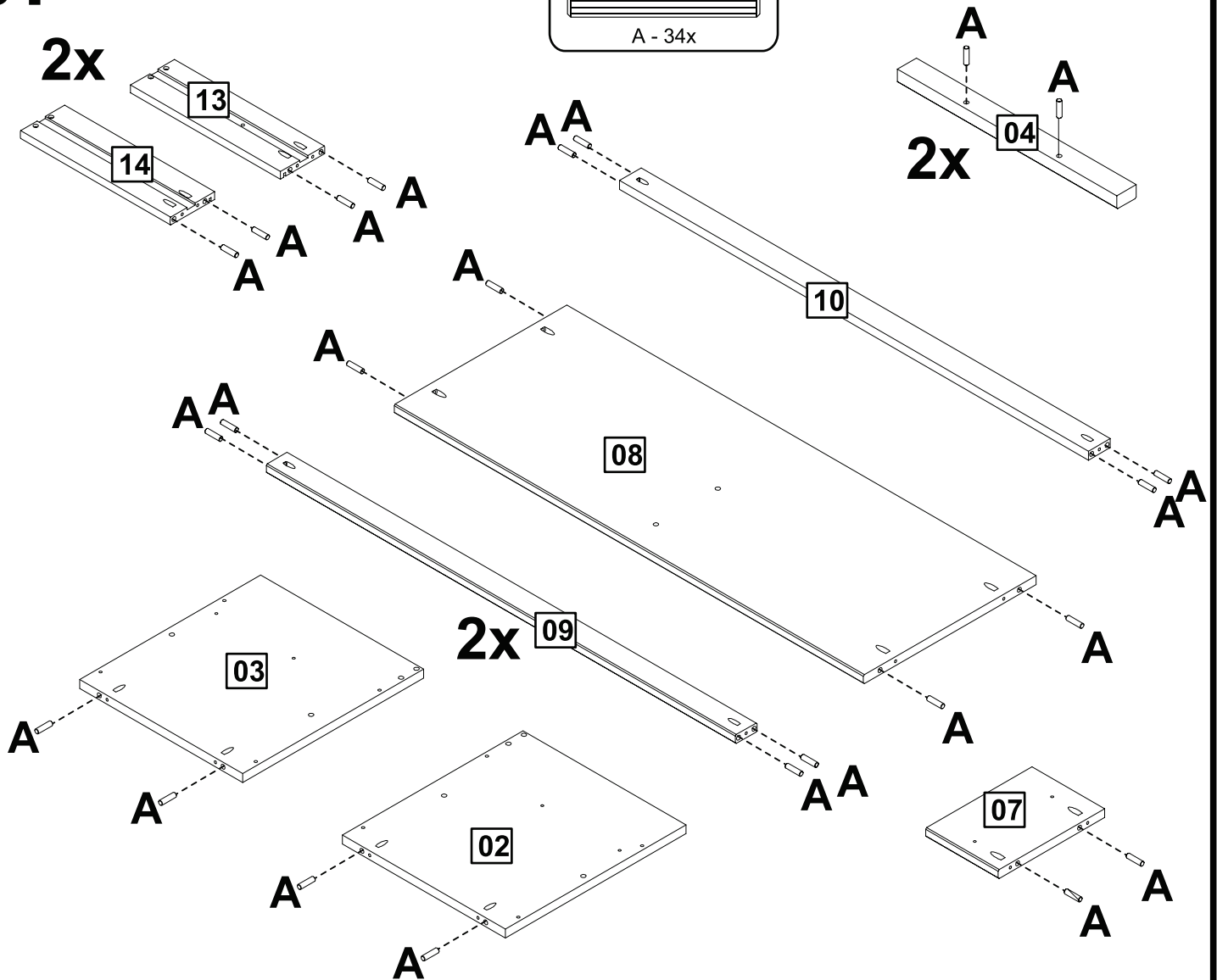
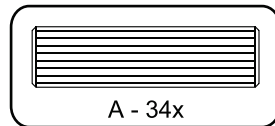


2x

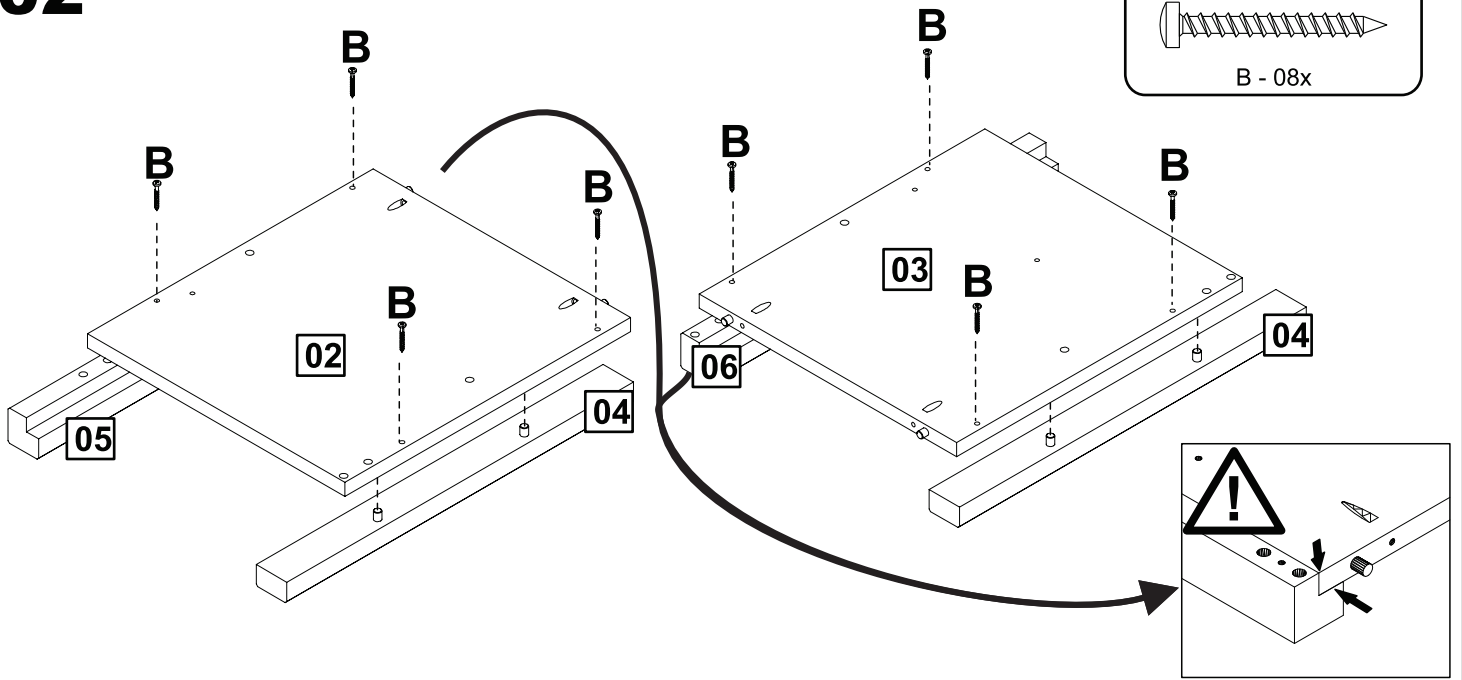


A	 8,0x30	34	G		02
B	 4,0x30	40	H		04
C	 6,0x10	04	I		04
D	 M4x12	04	J	 6,0x20	04
E		02	K	 3,0x14	04
F	 1,5x10	20	L	 M4x22	02

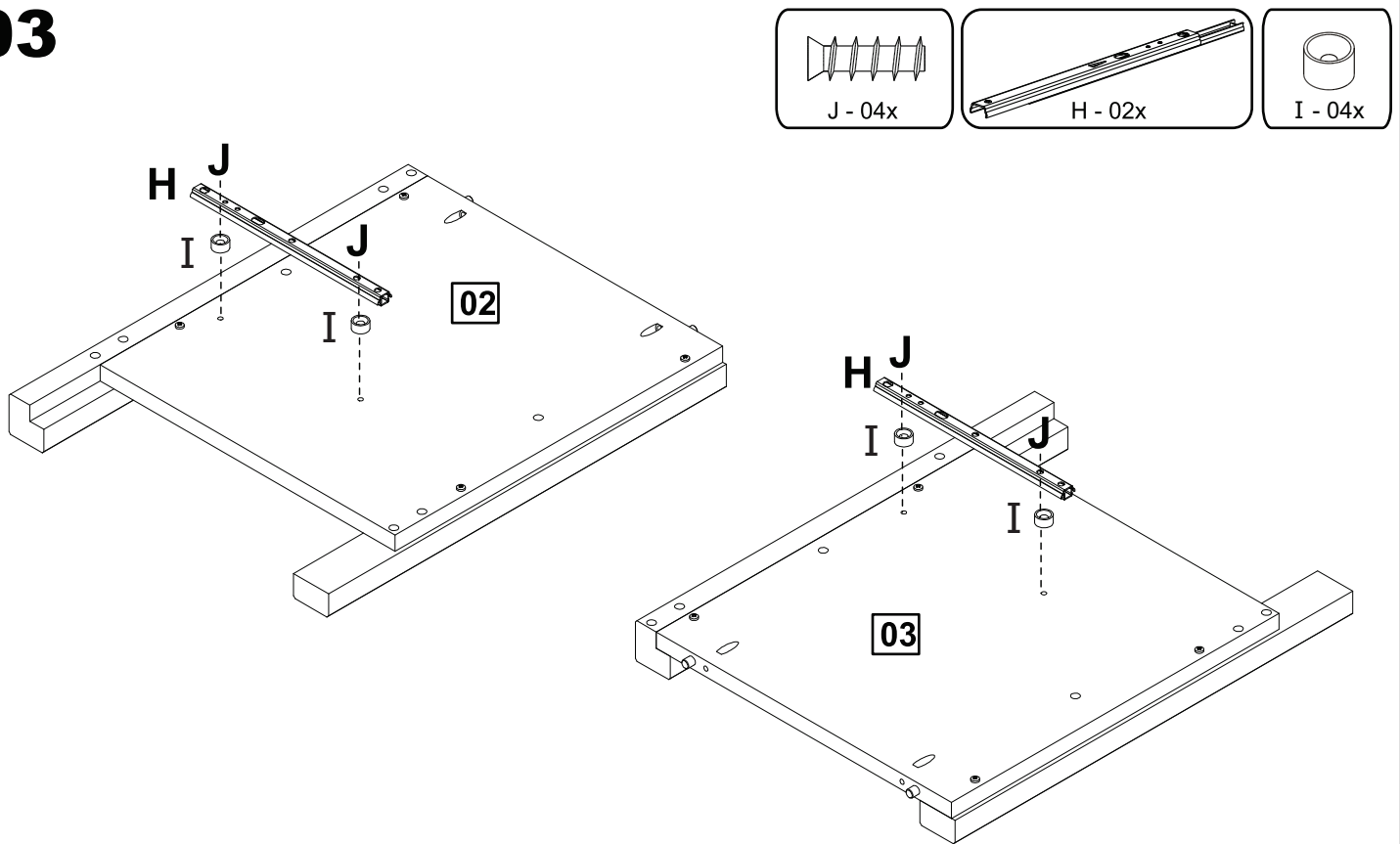
01



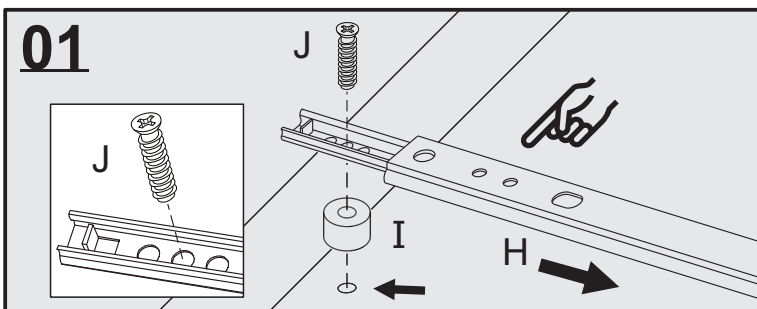
02



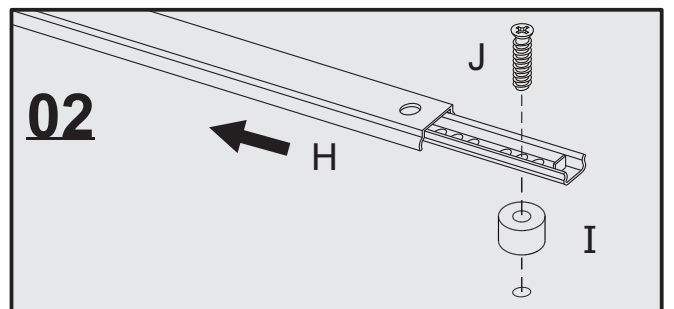
03



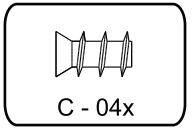
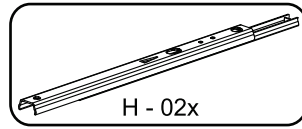
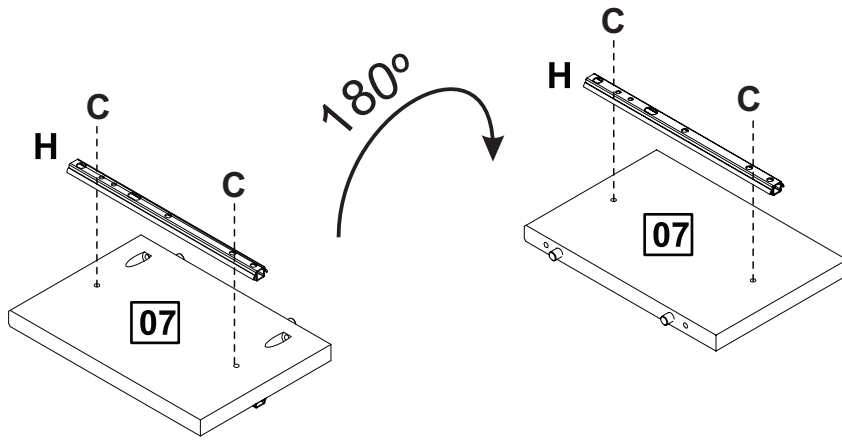
01



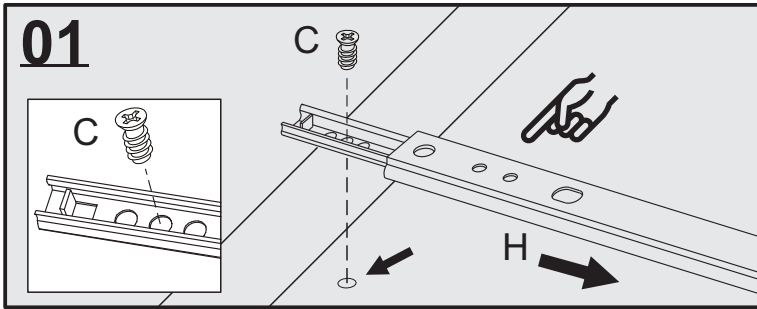
02



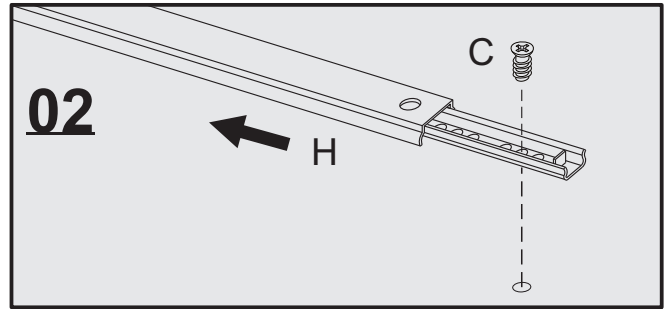
04



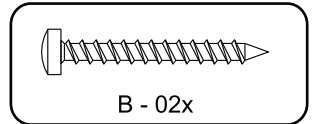
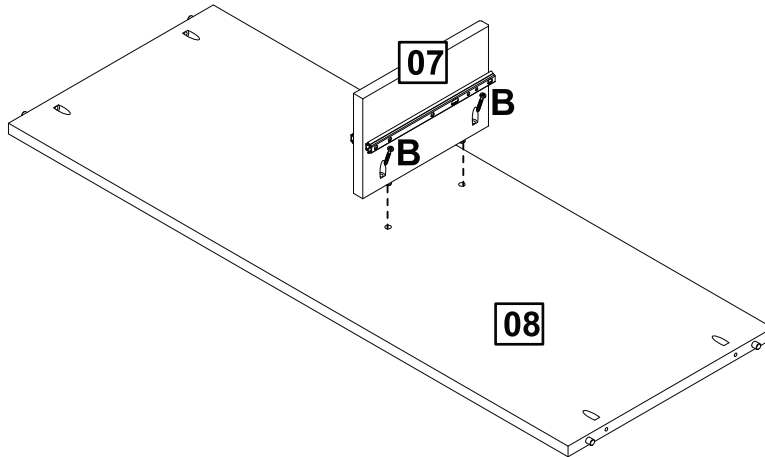
01



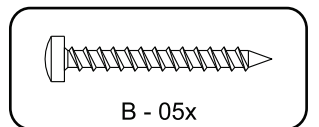
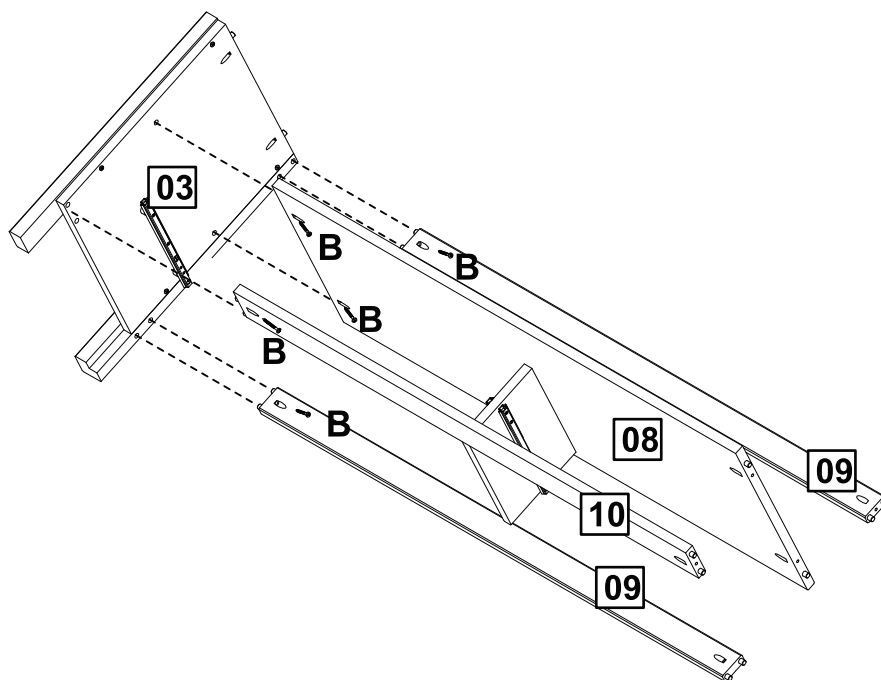
02



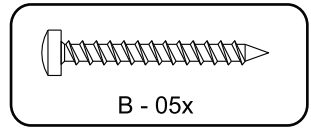
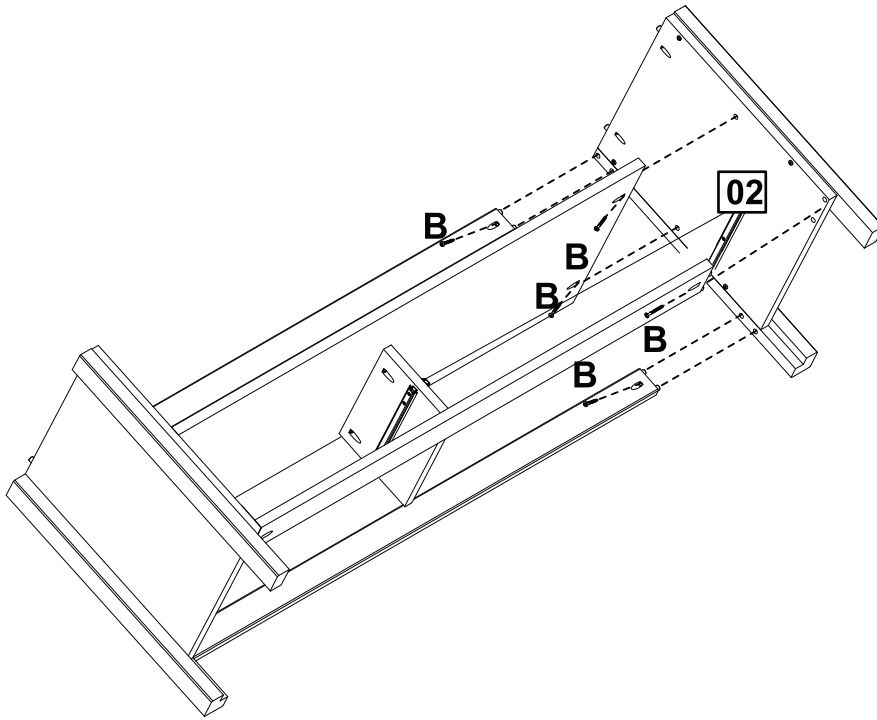
05



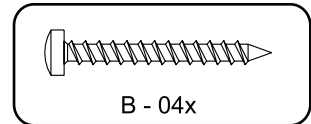
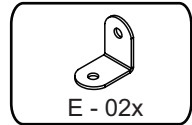
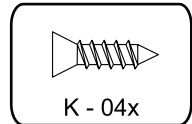
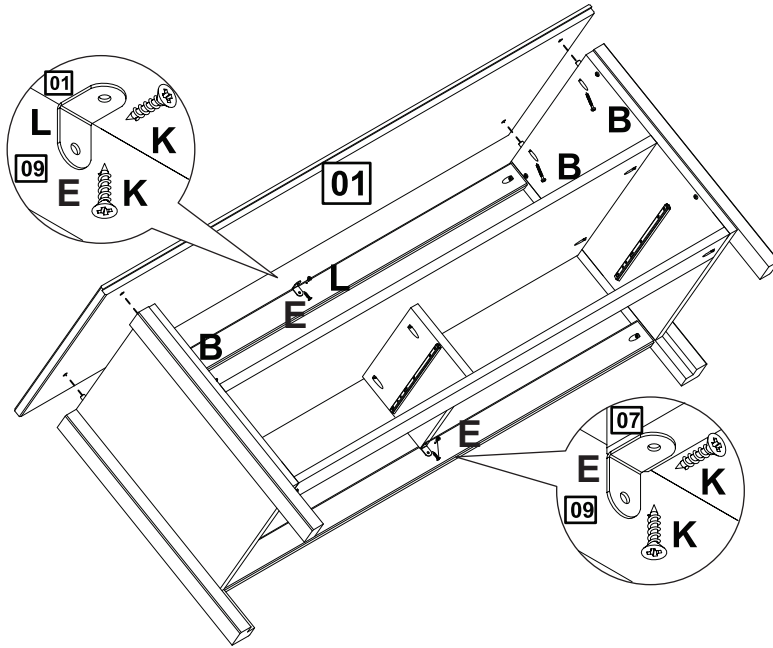
06



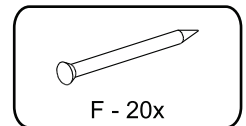
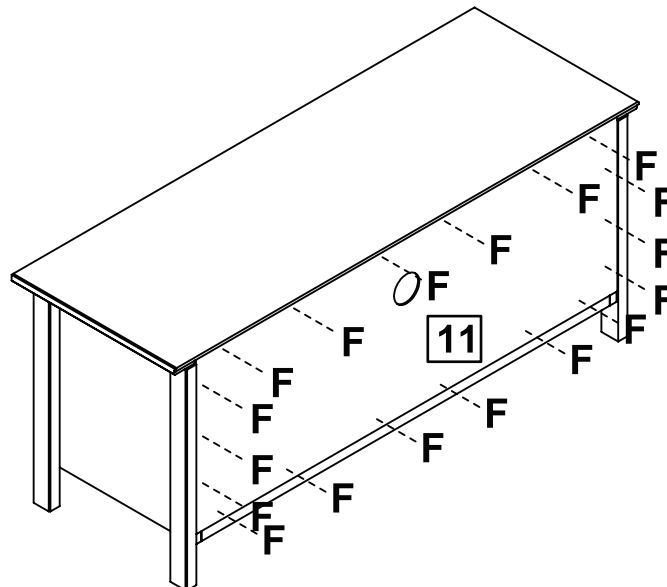
07



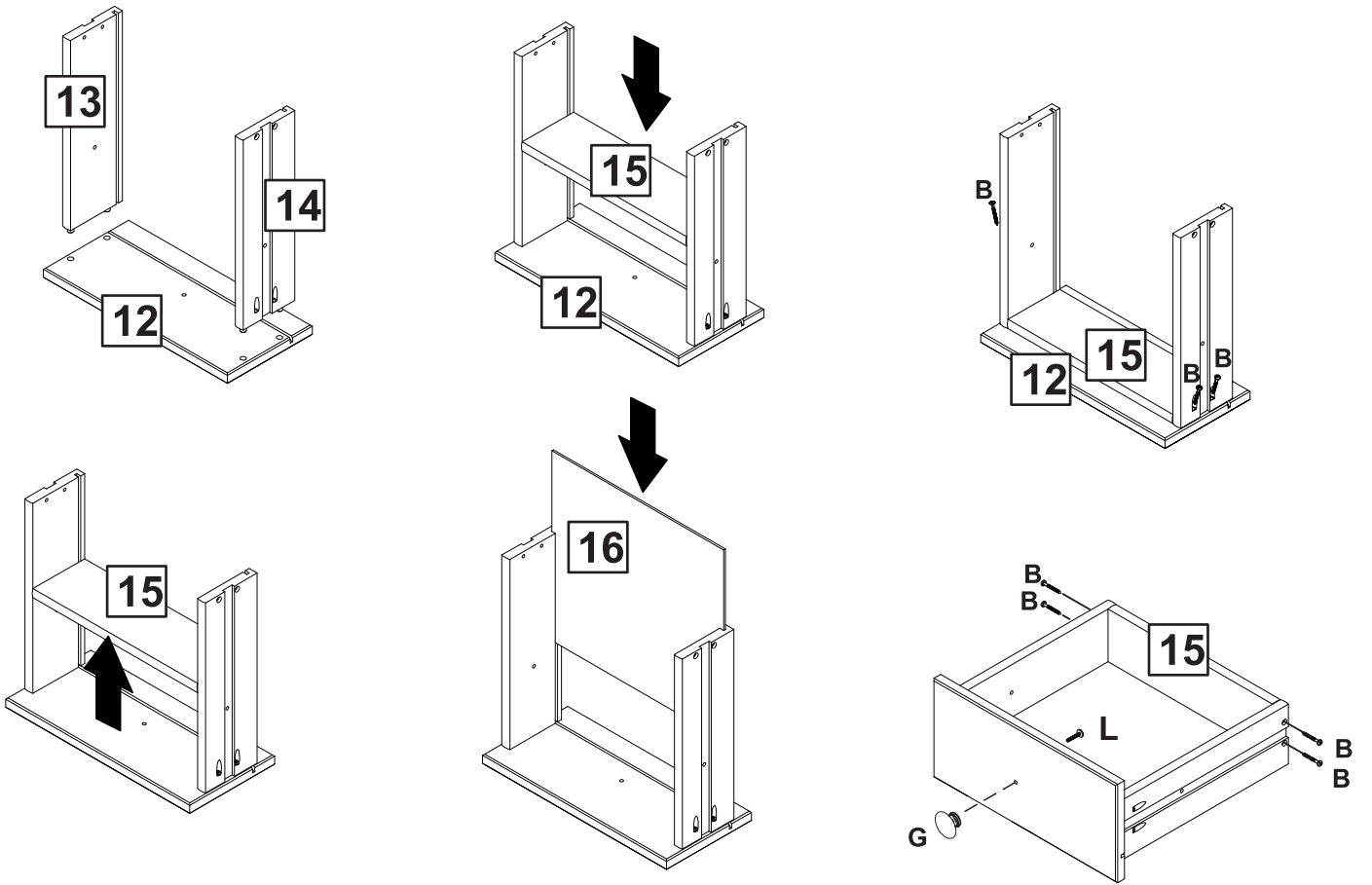
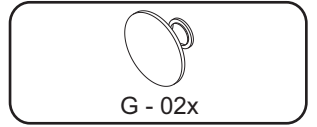
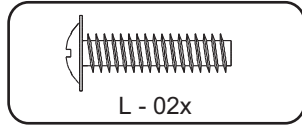
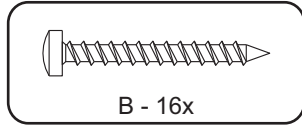
08



09



10 2x



11

