


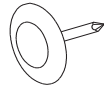

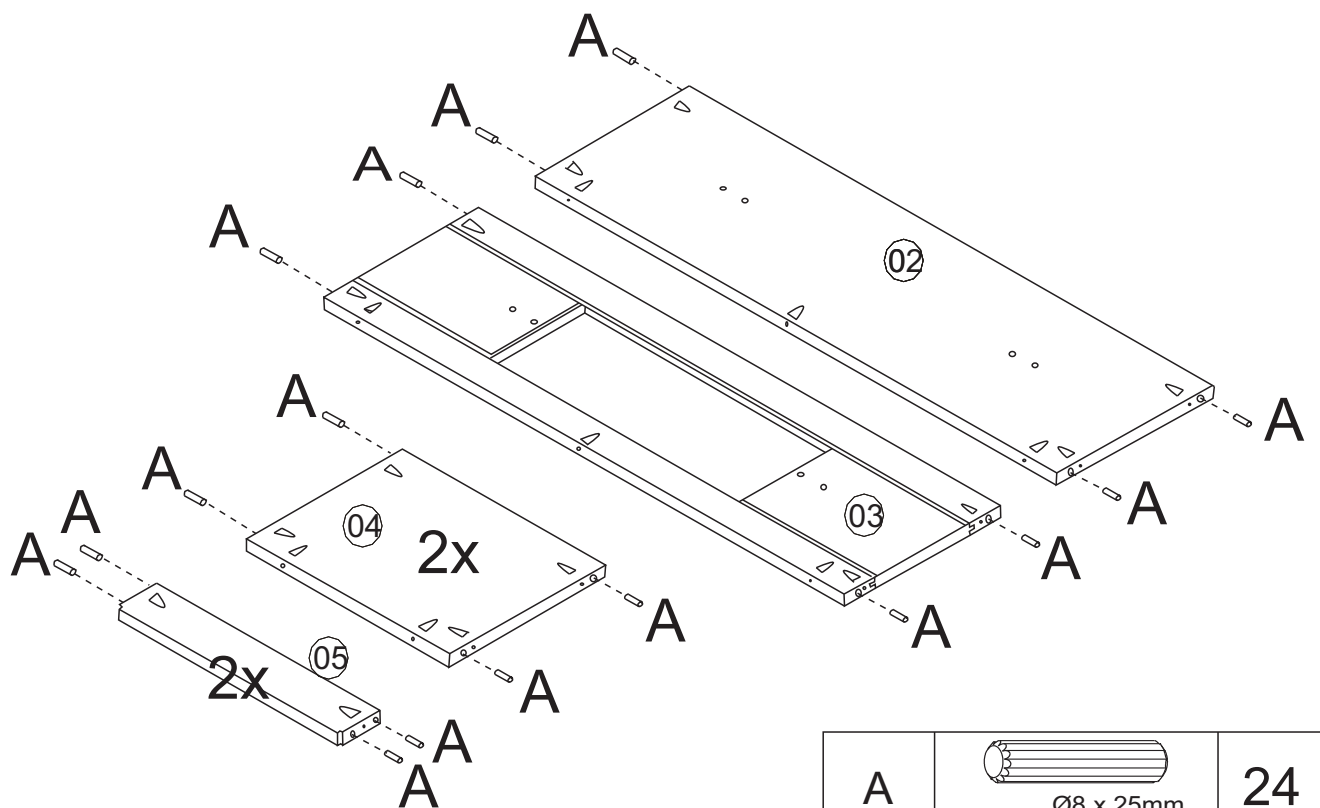
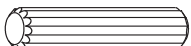


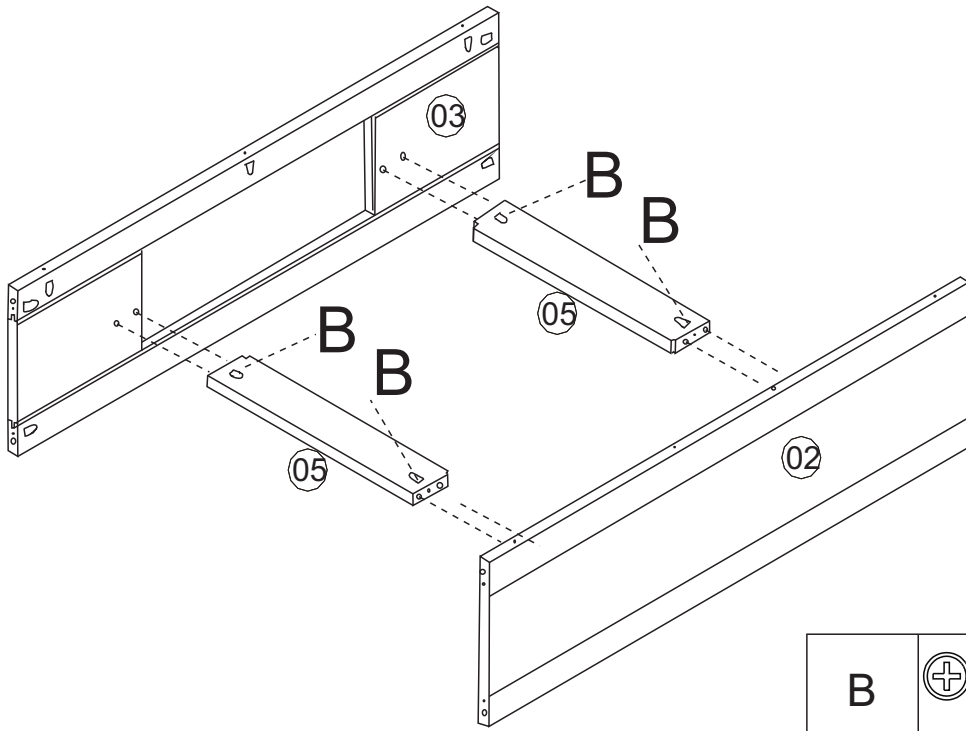
A	 Ø8 x 25mm	26
B	 Ø3,5 x 30 mm	30
C	 Ø3,0 x 30mm	08
D		08
E	 3/16" x 3/4"	01



01



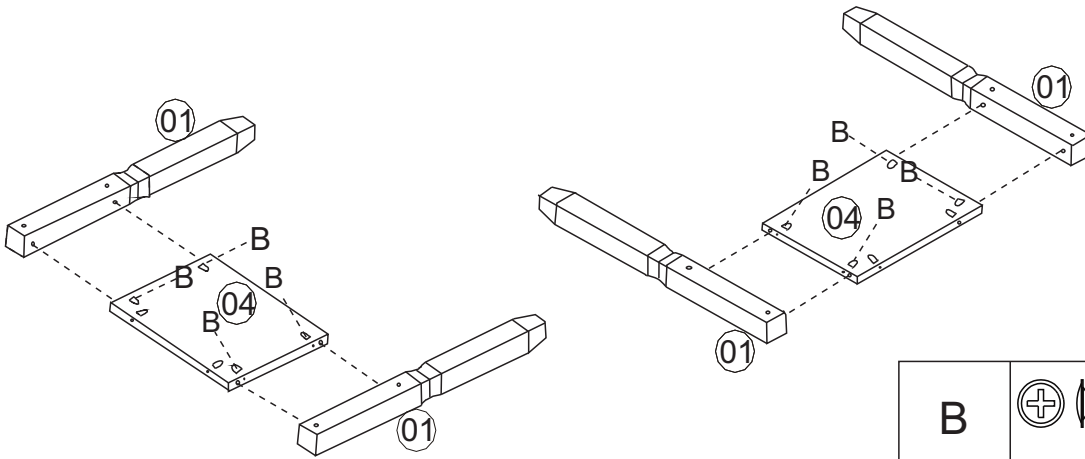
A	 Ø8 x 25mm	24
---	--	----



02



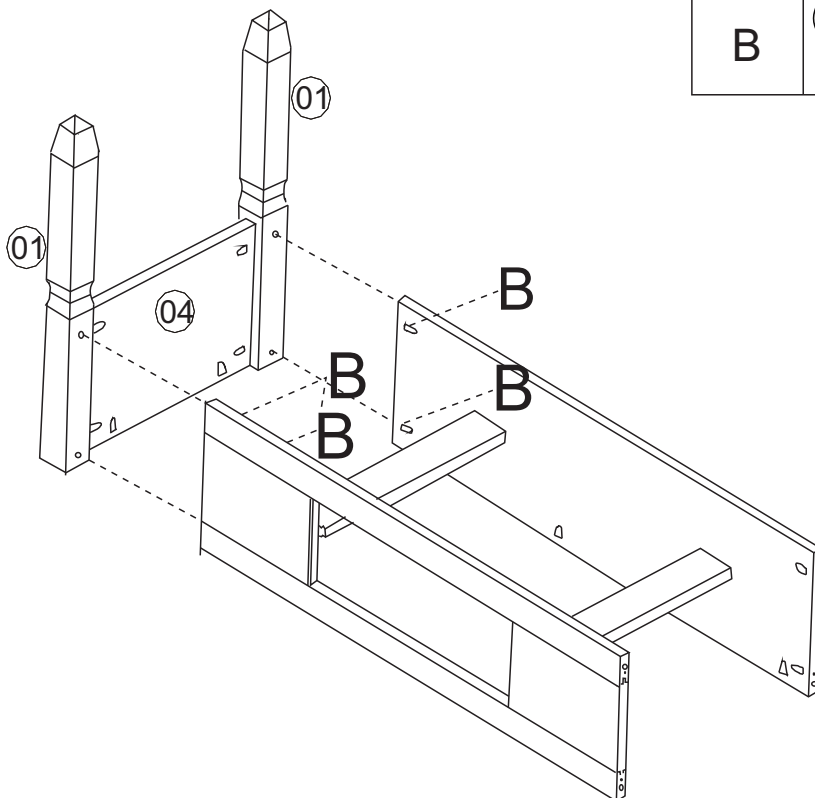
B			04
$\text{Ø}3,5 \times 30 \text{ mm}$			



03



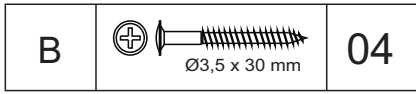
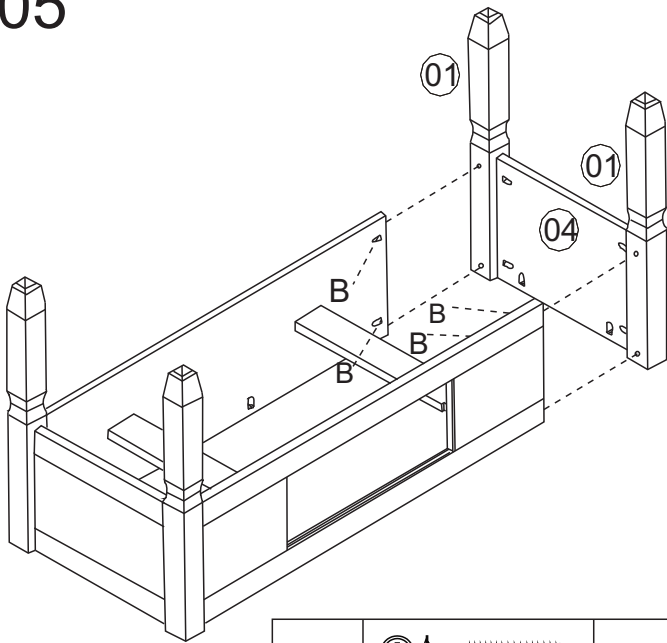
B			08
$\text{Ø}3,5 \times 30 \text{ mm}$			

04

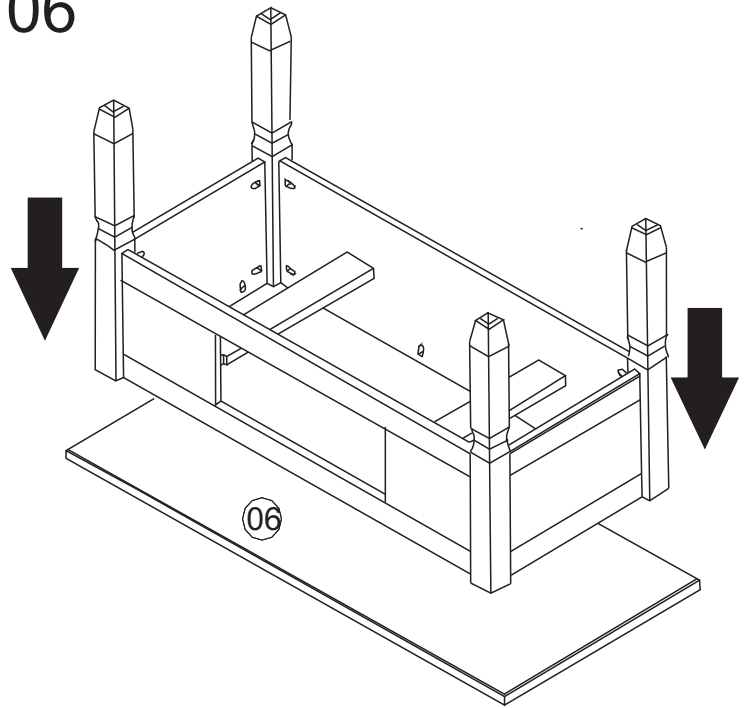


B			04
$\text{Ø}3,5 \times 30 \text{ mm}$			

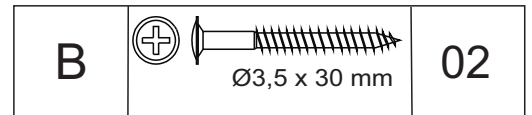
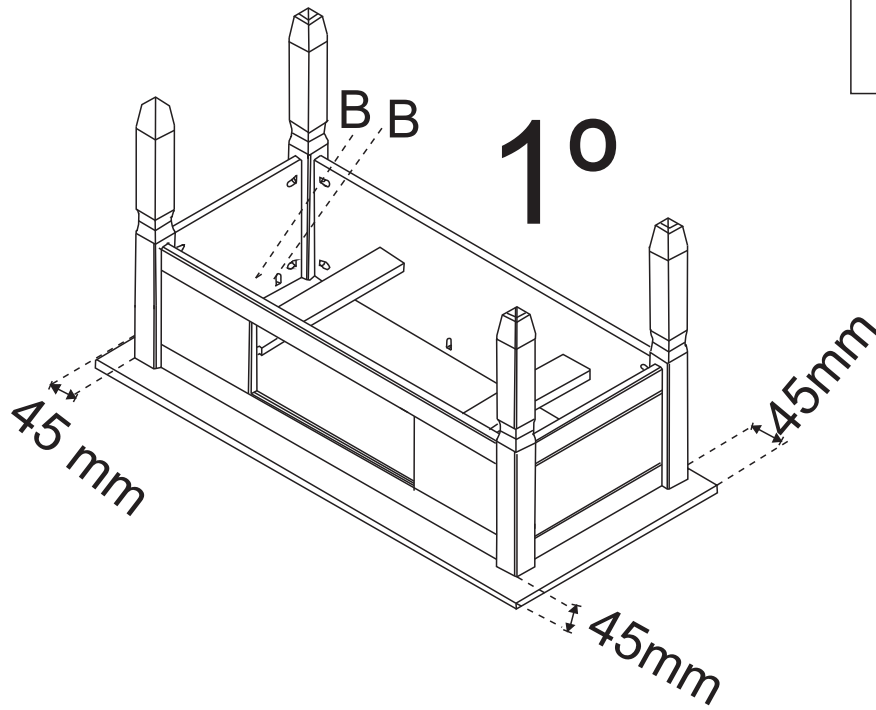
05



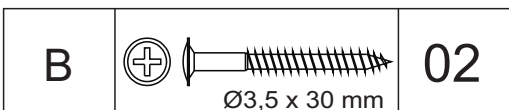
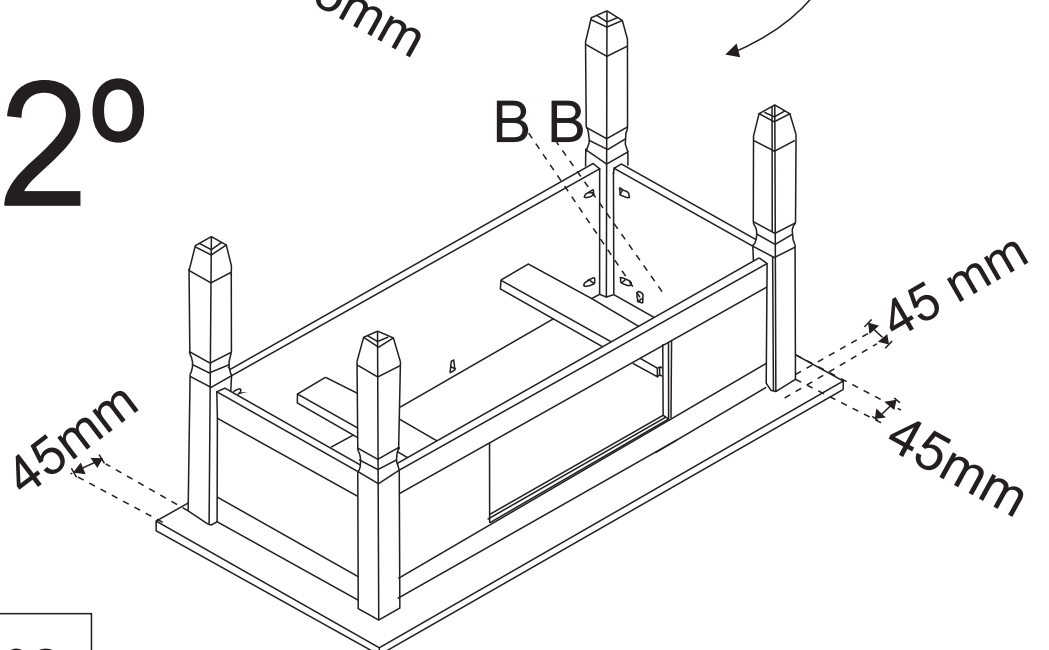
06




07

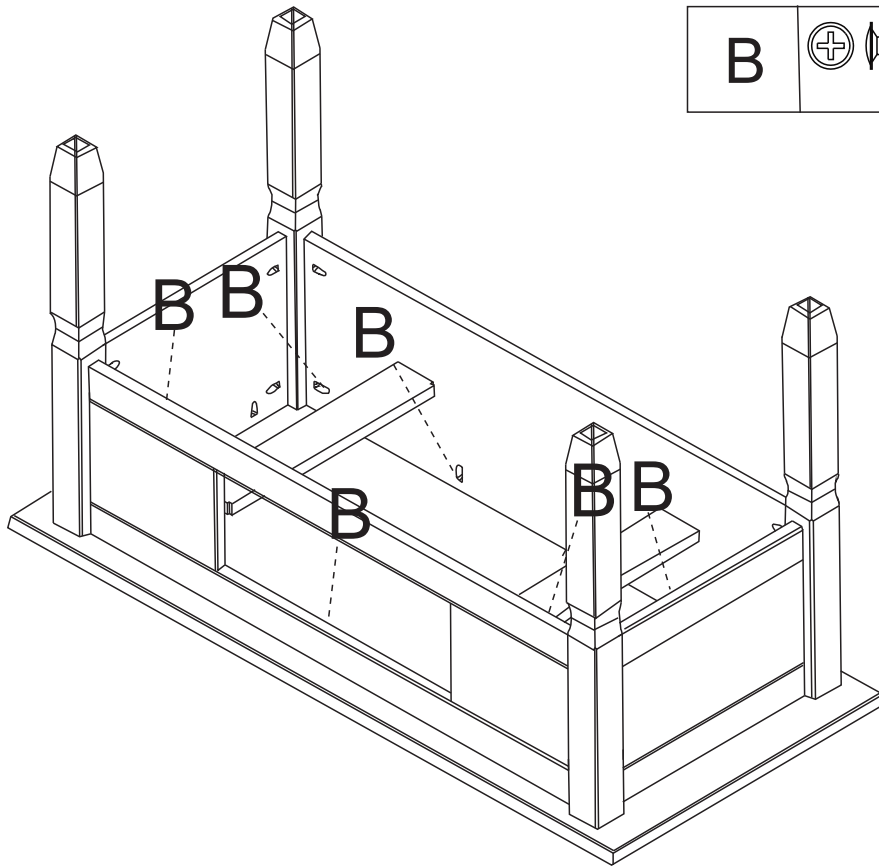


2°

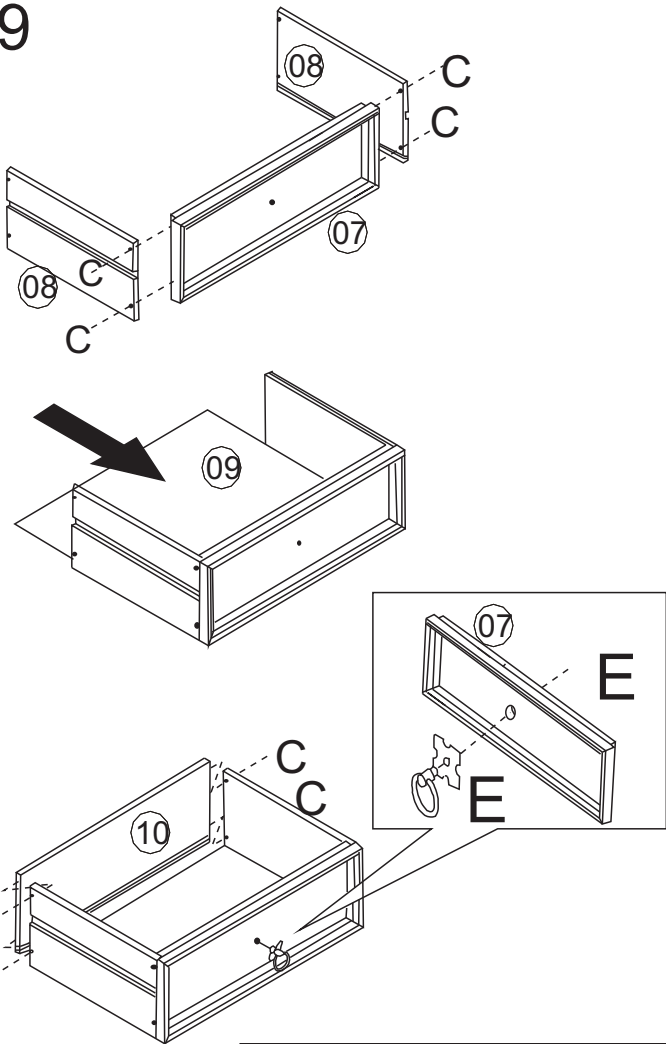



08


B	 Ø3,5 x 30 mm	06
---	--	----



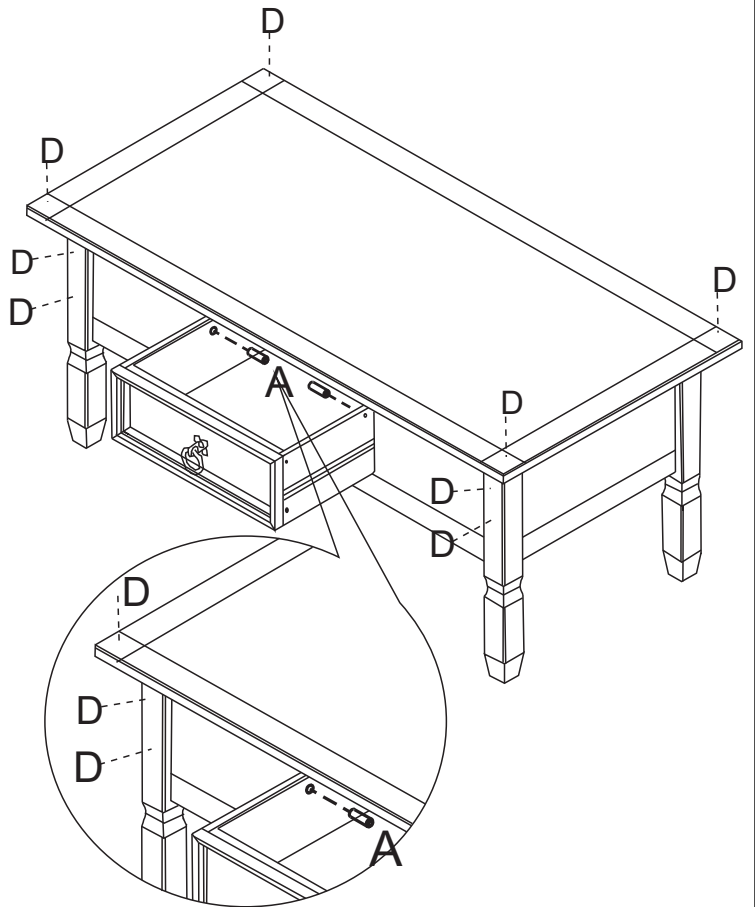
09





C	 Ø3,0 x 30mm	08
---	--	----

E	 3/16" x 3/4"	01
---	---	----

10



D		08
---	---	----

A	 Ø8 x 25mm	02
---	--	----